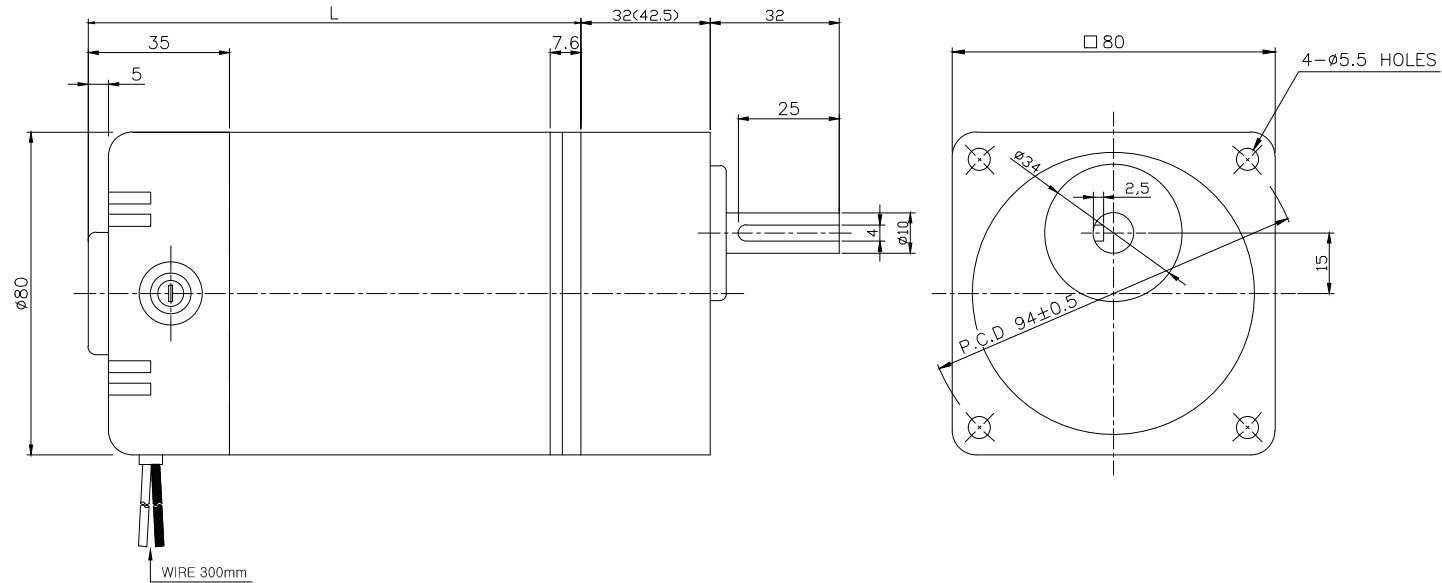


DC MOTOR □80(GEAR HEAD)



Specifications

MODEL	Rated						Weight (kg)	Length L (mm)
	Voltage (V)	Output (W)	Current (A)	Speed (RPM)	Torque			
					(kgf-cm)	(N-m)		
DD80-F012030	12	30	3.5	3000	1.0	0.10	1.4	122.1
DD80-F012040	12	40	4.7	3000	1.3	0.13	1.5	122.1
DD80-F012060	12	60	7.0	3000	1.9	0.19	1.9	139.6
DD80-F024025	24	25	1.5	3000	1.0	0.10	1.4	122.1
DD80-F024040	24	40	2.3	3000	1.3	0.13	1.5	122.1
DD80-F024060	24	60	3.5	3000	1.9	0.19	1.9	139.6
DD80-F090030	90	30	0.5	3000	1.0	0.10	1.4	122.1
DD80-F090040	90	40	0.6	3000	1.3	0.13	1.5	122.1
DD80-F090060	90	60	0.9	3000	1.9	0.19	1.9	139.6
DD80-F180030	180	30	0.2	3000	1.0	0.10	1.4	122.1
DD80-F180040	180	40	0.3	3000	1.3	0.13	1.5	122.1
DD80-F180060	180	60	0.5	3000	1.9	0.19	1.9	139.6

GEAR HEAD SIZE

GEAR RATIO	SIZE
3 / 1 ~ 18 / 1	32
20 / 1 ~ 200 / 1	42.5

* ENCODER / BRAKE 장착가능 (사전협의후 구매)