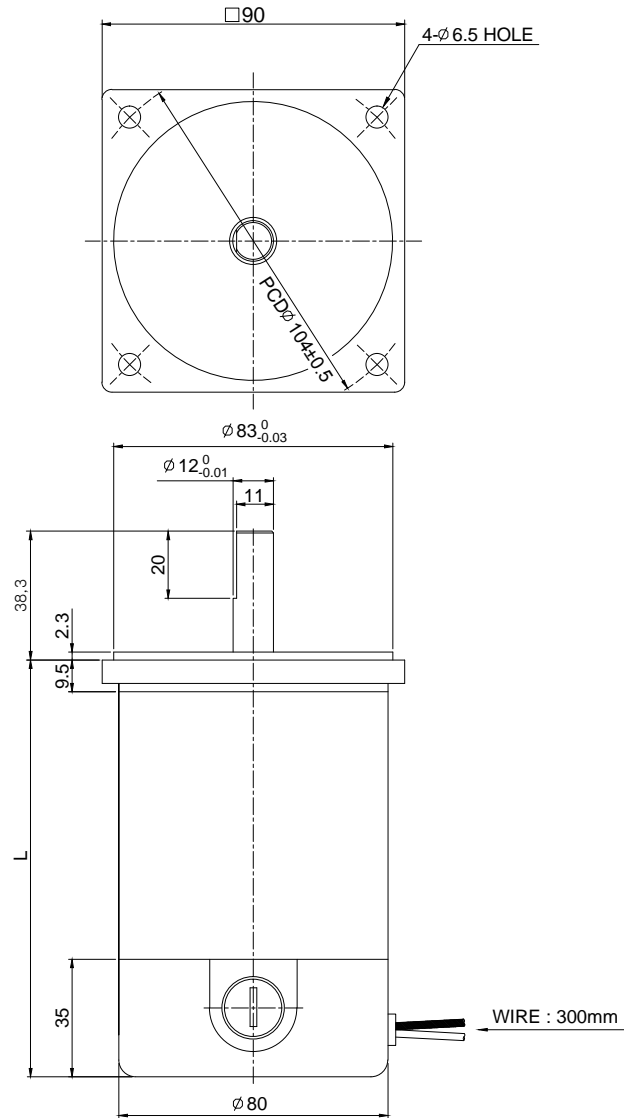


# DC MOTOR □90



## Specifications

MODEL	Rated					Weight (kg)	Length L (mm)	
	Voltage (V)	Output (W)	Current (A)	Speed (RPM)	Torque (kgf-cm)			Torque (N-m)
DD90-F012060	12	60	7.0	3000	1.9	0.19	2.1	141.5
DD90-F012090	12	90	10.6	3000	2.9	0.29	2.2	141.5
DD90-F012120	12	120	14.1	3000	3.9	0.39	2.9	159.5
DD90-F012150	12	150	17.6	3000	4.9	0.49	3.4	184.5
DD90-F024060	24	60	3.5	3000	1.9	0.19	2.1	141.5
DD90-F024090	24	90	5.3	3000	2.9	0.29	2.2	141.5
DD90-F024120	24	120	7.0	3000	3.9	0.39	2.9	159.5
DD90-F024150	24	150	8.8	3000	4.9	0.49	3.0	159.5
DD90-F090060	90	60	0.9	3000	1.9	0.19	2.1	141.5
DD90-F090090	90	90	1.4	3000	2.9	0.29	2.2	141.5
DD90-F090120	90	120	1.9	3000	3.9	0.39	2.9	159.5
DD90-F090150	90	150	2.3	3000	4.9	0.49	3.0	159.5
DD90-F090200	90	200	3.1	3000	6.5	0.65	3.1	184.5
DD90-F180060	180	60	0.5	3000	1.9	0.19	2.1	141.5
DD90-F180090	180	90	0.7	3000	2.9	0.29	2.2	141.5
DD90-F180120	180	120	0.9	3000	3.9	0.39	2.9	159.5
DD90-F180150	180	150	1.2	3000	4.9	0.49	3.0	159.5
DD90-F180200	180	200	1.6	3000	6.5	0.65	3.1	159.5
DD90-F180250	180	250	2.0	3000	8.1	0.81	3.4	184.5

\* ENCODER / BRAKE 장착가능 (사전협의후 구매)