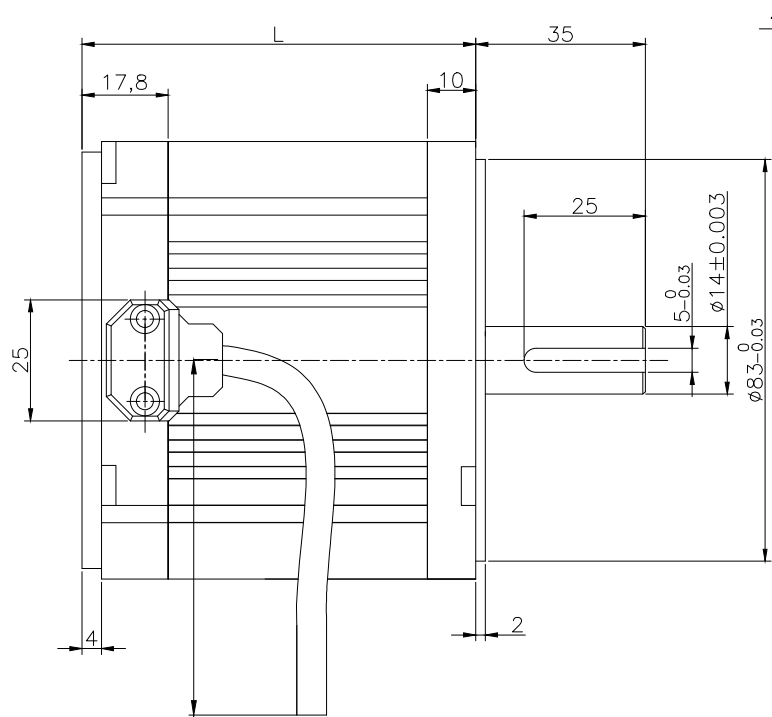


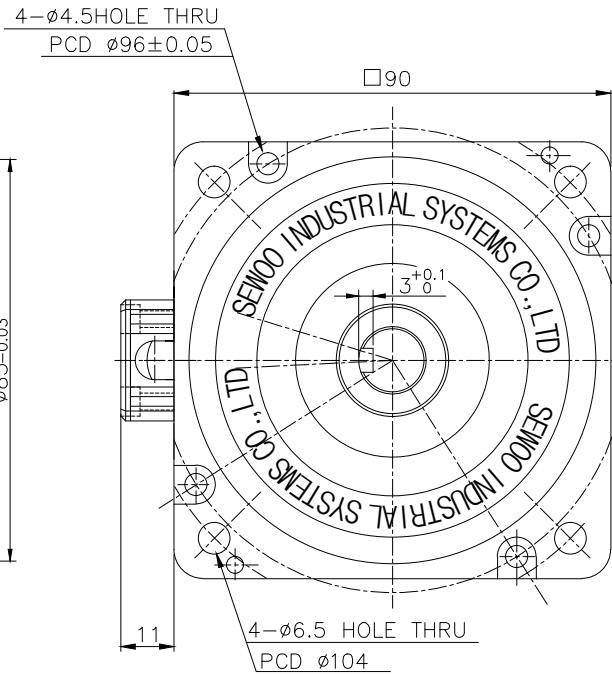
# BLDC MOTOR □90(고출력형)



LEADWIRE: 500mm

L	MODEL
81.3	S220300 / S220400
91.3	S012100 / S024200 / S220500
101.3	S012120 / S024250 / S220600
111.3	S012150 / S024300

\* ENCODER / BRAKE 장착 가능(별도협의후 구매)



## CONNECTOR

**DC 12, 24V (SBDM-25A)**

1. CONNECTOR(5264-05)

Pin No.	Cable Color	Lead Wire	Remark
1	WHITE	AWG 24	Hu
2	GREEN	AWG 24	Hv
3	BROWN	AWG 24	Hw
4	BLACK	AWG 24	GND
5	ORANGE	AWG 24	Voc

2. CONNECTOR

Pin No.	Cable Color	Lead Wire	Remark
1	RED	AWG 16	U
2	YELLOW	AWG 16	V
3	BLUE	AWG 16	W

**AC 220V (SBDSMD-05A)**

CONNECTOR(5557-12)

Pin No.	Cable Color	Lead Wire	Remark
1	BLUE	AWG 20	W
2			
3			
4	BROWN	AWG 24	Hw
5	GREEN	AWG 24	Hv
6	WHITE	AWG 24	Hu
7	YELLOW	AWG 20	V
8	RED	AWG 20	U
9	SHIELD		
10			
11	ORANGE	AWG 24	Voc
12	BLACK	AWG 24	GND

VIEW A-A'

Applicable Driver	
Voltage	Driver
DC 24V	SBDM-25A
AC 220V	SBDSMD-05A