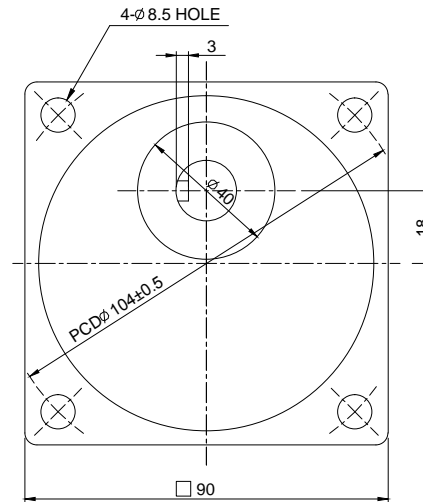
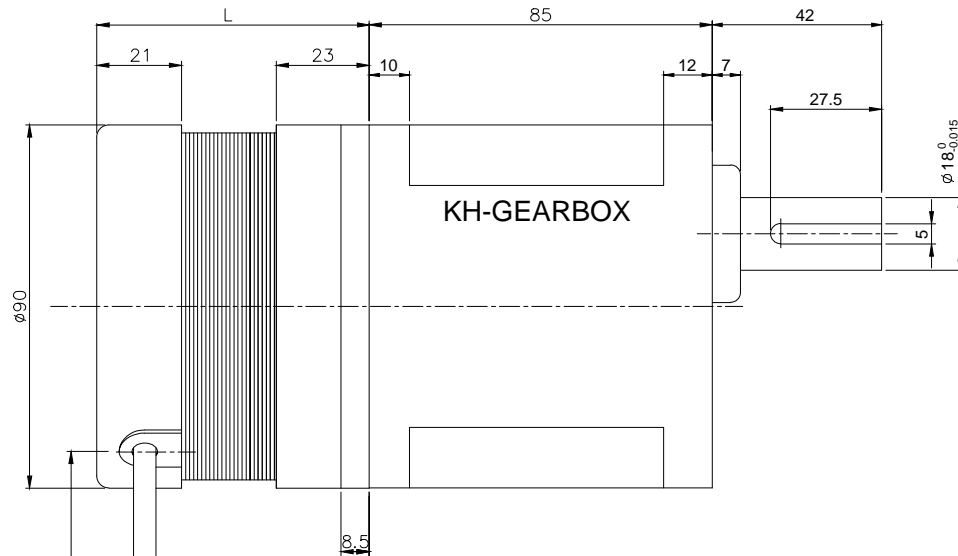


BLDC MOTOR □90(KH GEAR HEAD)



CONNECTOR

DC 12, 24V (SBDM-25A)

1. CONNECTOR(5264-05)

Pin No.	Cable Color	Lead Wire	Remark
1	WHITE	AWG 24	Ne
2	GREEN	AWG 24	Np
3	BROWN	AWG 24	Nn
4	BLACK	AWG 24	CRD
5	ORANGE	AWG 24	Vcc

2. CONNECTOR

Pin No.	Cable Color	Lead Wire	Remark
1	RED	AWG 18	U
2	YELLOW	AWG 18	V
3	BLUE	AWG 18	W

AC 220V

CONNECTOR(5557-12)

Pin No.	Cable Color	Lead Wire	Remark
1	WHITE	AWG 20	Ne
2	BLUE	AWG 20	Np
3	BROWN	AWG 24	Nn
4	GREEN	AWG 24	Np
5	WHITE	AWG 24	Nn
6	YELLOW	AWG 20	V
7	RED	AWG 20	V
8	SHIELD	AWG 20	V
9	SHIELD	AWG 20	V
10	ORANGE	AWG 24	Vcc
11	ORANGE	AWG 24	Vcc
12	BLACK	AWG 24	CRD

VIEW A-A'

LEADWIRE: 500mm

GEAR HEAD SIZE

GEAR RATIO	SIZE
3 / 1 ~ 200 / 1(KH)	85

L	MODEL
67.5	N220150
77.5	N012070 / N024150 / N220200

* ENCODER / BRAKE 장착 가능 (별도협의후 구매)

Applicable Driver

Voltage	Driver
DC 24V	SBDM-25A
AC 220V	SBDSMI-03A
	SBDSMS-03A