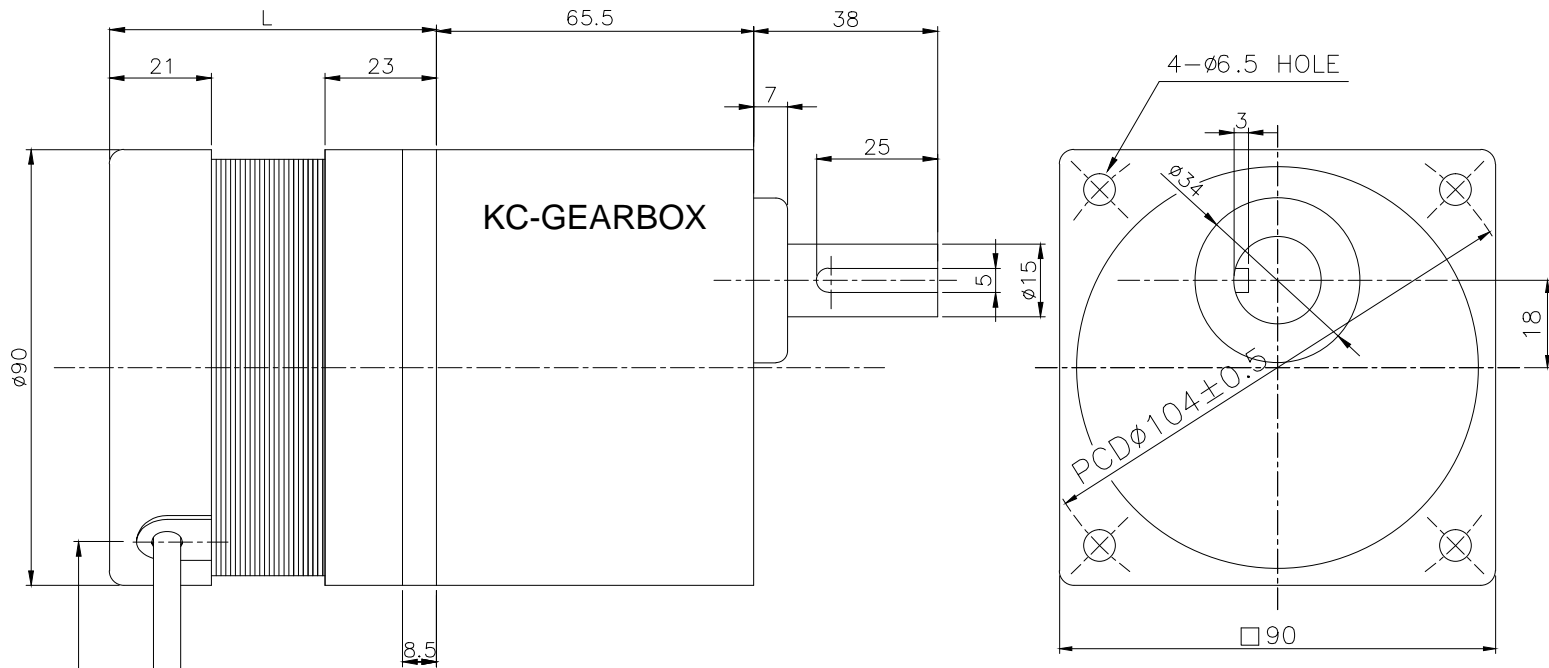


BLDC MOTOR □90(KC GEAR HEAD)



GEAR HEAD SIZE

| GEAR RATIO | SIZE |
|---------------------|------|
| 3 / 1 ~ 200 / 1(KC) | 65.5 |

LEADWIRE: 500mm

| L | MODEL |
|------|-----------------------------|
| 57.5 | N012040 / N024050 / N220100 |
| 67.5 | N012060 / N024100 / N220150 |
| 77.5 | N012070 / N024150 / N220200 |

* ENCODER / BRAKE 장착 가능 (별도협의후 구매)

CONNECTOR

DC 12, 24V (SBDM-05A)

CONNECTOR(5557-08)

| Pin | Cable Color | Lead Wire | Remark |
|-----|-------------|-----------|--------|
| 1 | ORANGE | AWG 24 | Vcc |
| 2 | RED | AWG 20 | G |
| 3 | YELLOW | AWG 20 | V |
| 4 | BLUE | AWG 20 | W |
| 5 | BLACK | AWG 24 | GND |
| 6 | WHITE | AWG 24 | Hz |
| 7 | GREEN | AWG 24 | Hz |
| 8 | BROWN | AWG 24 | Hz |

DC 12, 24V (SBDM-10, 25A)

1. CONNECTOR(S264-05)

| Pin | Cable Color | Lead Wire | Remark |
|-----|-------------|-----------|--------|
| 1 | WHITE | AWG 24 | Hz |
| 2 | BROWN | AWG 24 | Hz |
| 3 | BROWN | AWG 24 | Hz |
| 4 | BLACK | AWG 24 | GND |
| 5 | ORANGE | AWG 24 | Vcc |

2. CONNECTOR

| Pin | Cable Color | Lead Wire | Remark |
|-----|-------------|-----------|--------|
| 1 | RED | AWG 18 | V |
| 2 | YELLOW | AWG 18 | V |
| 3 | BLUE | AWG 18 | W |

AC 220V

CONNECTOR(5557-12)

| Pin | Cable Color | Lead Wire | Remark |
|-----|-------------|-----------|--------|
| 1 | BLUE | AWG 22 | W |
| 2 | | | |
| 3 | | | |
| 4 | BROWN | AWG 24 | Hz |
| 5 | ORANGE | AWG 24 | Hz |
| 6 | WHITE | AWG 24 | Hz |
| 7 | YELLOW | AWG 20 | V |
| 8 | RED | AWG 20 | V |
| 9 | BLACK | AWG 24 | GND |
| 10 | | | |
| 11 | ORANGE | AWG 24 | Vcc |
| 12 | BLACK | AWG 24 | GND |

| Applicable Driver | |
|-------------------|------------------------------|
| Voltage | Driver |
| DC 24V | SBDM-05A, SBDM-10A, SBDM-25A |
| AC 220V | SBDSMI-03A |
| | SBDSMA-02A |
| | SBDSMS-03A |

*DC 12, 24V 모델은 매칭 가능한 Driver 확인후 사용.