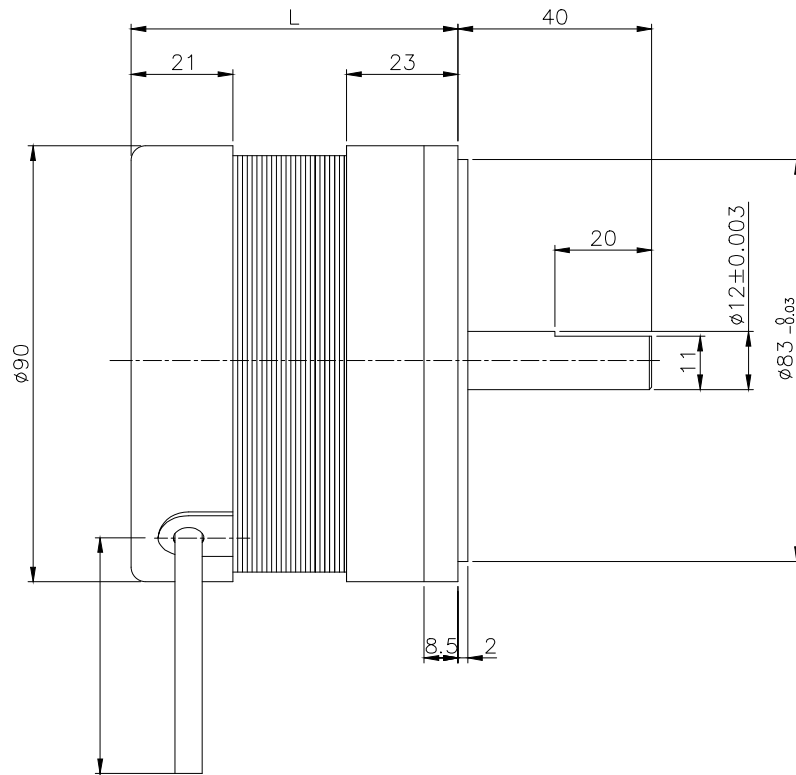


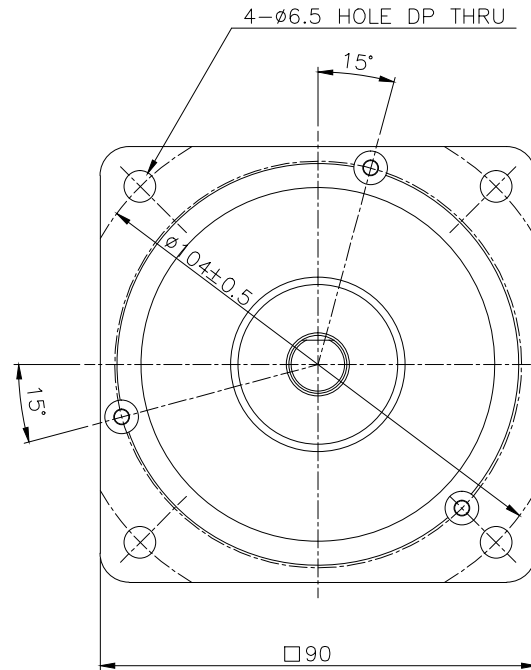
# BLDC MOTOR □90



LEADWIRE: 500mm

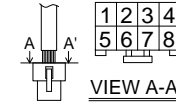
L	MODEL
57.5	N012040 / N024050 / N220100
67.5	N012060 / N024100 / N220150
77.5	N012070 / N024150 / N220200

\* ENCODER / BRAKE 장착 가능 (별도협의후 구매)



## CONNECTOR

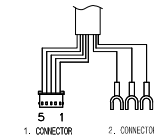
DC 12, 24V  
(SBDM-05A)



CONNECTOR(5557-08)

Pin No.	Cable Color	Lead Wire	Remark
1	ORANGE	AWG 24	Vcc
2	RED	AWG 20	U
3	YELLOW	AWG 20	V
4	BLUE	AWG 20	W
5	BLACK	AWG 24	GND
6	WHITE	AWG 24	Hu
7	GREEN	AWG 24	Hv
8	BROWN	AWG 24	Hw

DC 12, 24V  
(SBDM-10, 25A)



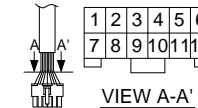
1. CONNECTOR(5264-05)

Pin No.	Cable Color	Lead Wire	Remark
1	WHITE	AWG 24	Hu
2	GREEN	AWG 24	Hv
3	BROWN	AWG 24	Hw
4	BLACK	AWG 24	GND
5	ORANGE	AWG 24	Vcc

2. CONNECTOR

Pin No.	Cable Color	Lead Wire	Remark
1	RED	AWG 16	U
2	YELLOW	AWG 16	V
3	BLUE	AWG 16	W

AC 220V



CONNECTOR(5557-12)

Pin No.	Cable Color	Lead Wire	Remark
1	BLUE	AWG 20	W
2			
3			
4	BROWN	AWG 24	Hw
5	GREEN	AWG 24	Hv
6	WHITE	AWG 24	Hu
7	YELLOW	AWG 20	V
8	RED	AWG 20	U
9	SHIELD		
10			
11	ORANGE	AWG 24	Vcc
12	BLACK	AWG 24	GND

## Applicable Driver

Voltage	Driver
DC 24V	SBDM-05A, SBDM-10A, SBDM-25A
AC 220V	SBDSMI-03A
	SBDSMA-02A
	SBDSMS-03A

\*DC 12, 24V 모델은 매칭 가능한 Driver 확인후 사용.